



3651 N Highway 89 • Chino Valley, AZ 86323  
(928) 636-7080 • www.p-a-g.net

# CHEVY HD FRONT LIGHT BAR KIT INSTALLATION INSTRUCTIONS 2007+ KIT# 89601

## Before Starting Installation

### NOTE

Kit parts are prefaced by the word *kit* and appear in **bold print**.

1. Carefully read all warnings and instructions completely before beginning.
2. Verify all parts have been received in this kit by checking the parts list at the end of this document.

### NOTE

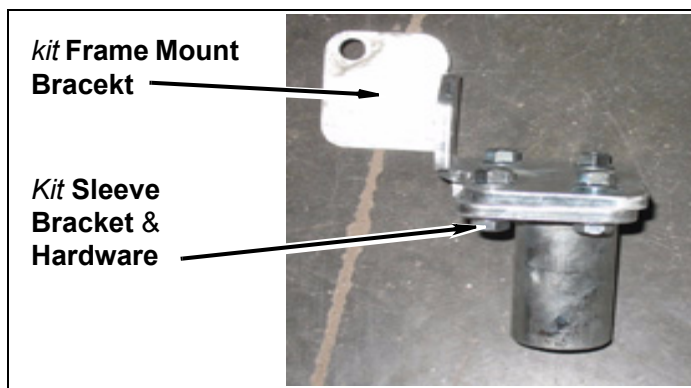
If parts are missing from kit, please be prepared to provide the following information:

1. **Name** of purchase location
2. **Bar Code** on side of box
3. **Date** above bar code
4. **Date** inside box cover
5. **Inspector #** from inside box cover

3. **Only install this kit on the vehicle for which it is specified.** If anytime during the installation you encounter something different from what is outlined in the instructions, call technical support at (928) 636-7080.
4. Park vehicle on a clean, dry, flat, level surface and block tires so vehicle cannot roll in either direction.

## Install Light Bar

1. Install **kit Mounting Brackets**
  - a. Bolt **kit Frame Mount Bracket** to **Sleeve Bracket** using four **bolts (3/8" x 1")**. Leave bolts loose enough that you can slide the brackets around to allow for adjustment during install.



### ⚠ WARNING

Before you install this kit, read and understand all instructions, warnings, cautions, and notes in this instruction sheet and in the vehicle owner's manual.

### ⚠ CAUTION

Proper installation of this kit requires knowledge of the factory recommended procedures for removal and installation of original equipment components. We recommend that the factory shop manual and any special tools needed to service your vehicle be on hand during the installation. Installation of this kit without proper knowledge of the factory recommended procedures may affect the performance of these components and the safety of the vehicle. We strongly recommend that a certified mechanic familiar with the installation of similar components install this kit.

### ⚠ WARNING

Many states and municipalities have laws restricting bumper heights and vehicle lifts. Consult state and local laws to determine if the changes you intend to make to the vehicle comply with the law.

### ⚠ WARNING

Always wear eye protection when operating power tools.

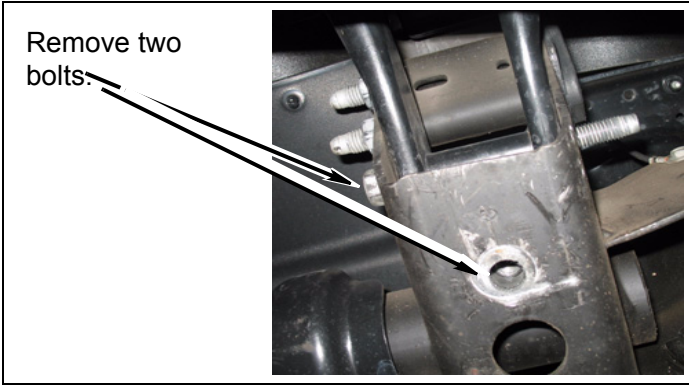
### ⚠ WARNING

Before you install this kit, block the vehicle tires to prevent the vehicle from rolling.

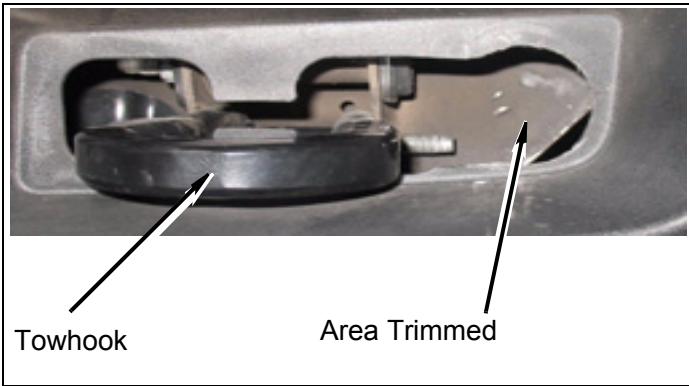
### NOTE

Performance Automotive Group recommends using the Loctite® supplied in the kit on the threads of all kit nuts and bolts unless specified otherwise in these instructions.

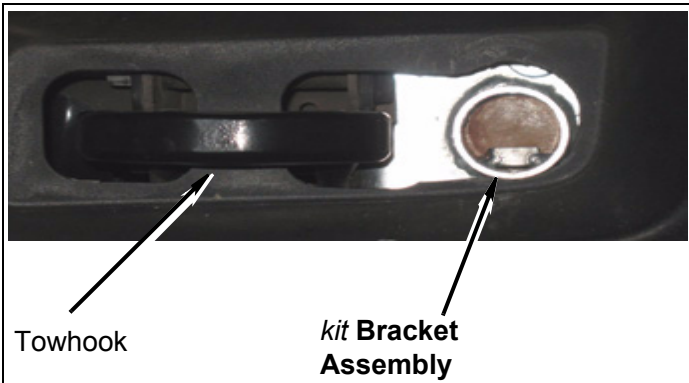
- b. Remove bolt going through lower part of frame below towhook and lowest forward most bolt running through towhook horizontally.



- c. Using a hole saw or other plastic cutting method cut a 2.25"-2.5" diameter hole through plastic part of bumper to allow for light bar to pass through. Hole should be located in to the outside of towhook. Use bracket bolted together to get an idea of location and use best judgement to trim the leaset amount needed.



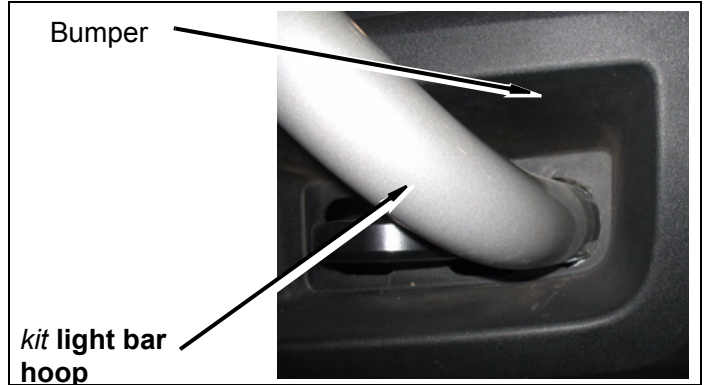
- d. Install *kit bracket assembly* securing using OE bolts removed. *kit Bracket* should form around outside of frame rail and flat surface with tube sticking out should be located outward of the frame and sticking through hole cut in plastic portion of bumper.



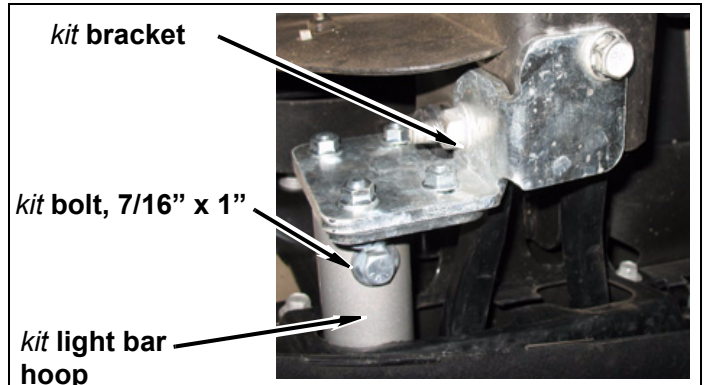
- e. Repeat previous steps on opposite side of vehicle.

- 2. Install *kit light bar hoop*.

- a. Slide *kit light bar hoop* over tubes previously bolted on.



- b. Secure using two *kit bolts* (7/16 x 1")



- c. Make sure *kit light bar* is centered on front of vehicle and level and tighten all hardware.

- d. Install lights if applicable.



## After Completing Installation

### Engine Compartment

- 1. Connect both battery cables. Connect positive cable first, then negative cable.

## Miscellaneous

1. Check all fasteners to ensure they are tight.
2. Ensure all wires, hoses, cables, etc. are properly connected and there is ample slack.

### **⚠WARNING**

Retorque all fasteners after 500 miles and after off road use. All body lift components should be visually inspected and fasteners retorqued during routine vehicle servicing.

### **NOTE**

All warranty information, instruction sheets, and other documents regarding the installation of this product must be retained by the vehicle owner. Information contained in the instructions and on the warranty card will be required for any warranty claims. The vehicle owner needs to understand the modifications made to the vehicle and how they affect vehicle handling and performance. Failure to provide the customer with this information can result in damage to the vehicle and severe personal injury.

## Kit# 89500 Light Bar

### Qty. Description

1	<b>Light Bar Hoop</b>
1	<b>Mounting Bracket (Drvr)</b>
1	<b>Mounting Bracket (Pass)</b>
1	<b>Frame Mounting Bracket (Drvr)</b>
1	<b>Frame Mounting Bracket (Pass)</b>
2	<b>Bolt (7/16" x 1")</b>
8	<b>Bolt (3/8" x 1")</b>
8	<b>Washer (3/8" Flat)</b>
8	<b>Nut (3/8" Flange)</b>